

# Subtraction

$$8 - 3$$



We start with 8 circles



Then we take away 3



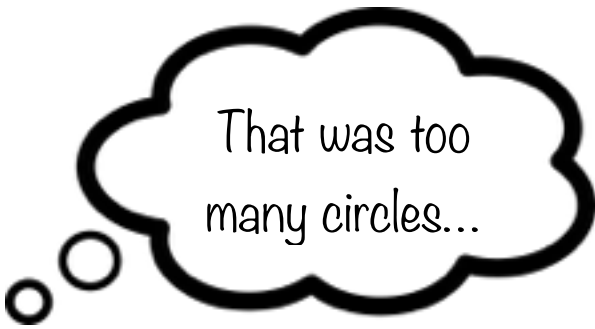
And we are left with 5 circles

Note: Always remove the farthest right circle!



Practice: Model using circles

|  |   |
|--|---|
| <p style="text-align: center;"><math>7 - 4</math></p>  | <p style="text-align: center;"><math>9 - 2</math></p>   |
| <p style="text-align: center;"><math>13 - 7</math></p> | <p style="text-align: center;"><math>25 - 17</math></p> |



$$8 - 3$$



We start with an 8 block



Then we draw a subtract 3 block



And we are left with a 5 block

Note: Always line up the right side of a subtraction block with the right side of a regular block

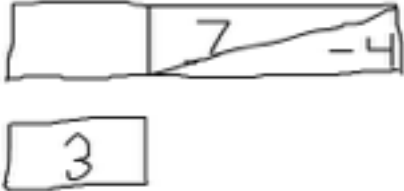

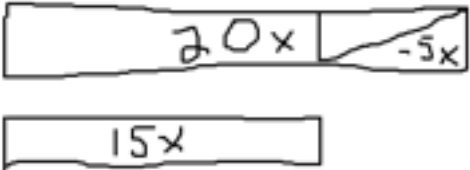


Scan here for tutorial video!

Practice: Model using bars

I helped you get started, now  
you finish the problem!



|   |   |
|---|---|
| <p style="text-align: center;"><math>7 - 4</math></p>  | <p style="text-align: center;"><math>9 - 2</math></p>       |
| <p style="text-align: center;"><math>13 - 7</math></p>  | <p style="text-align: center;"><math>25 - 17</math></p>   |
| <p style="text-align: center;"><math>18 - 2</math></p>  | <p style="text-align: center;"><math>20x - 5x</math></p>  |
| <p style="text-align: center;"><math>8y - 4y</math></p>   | <p style="text-align: center;"><math>30a - 10a</math></p>   |